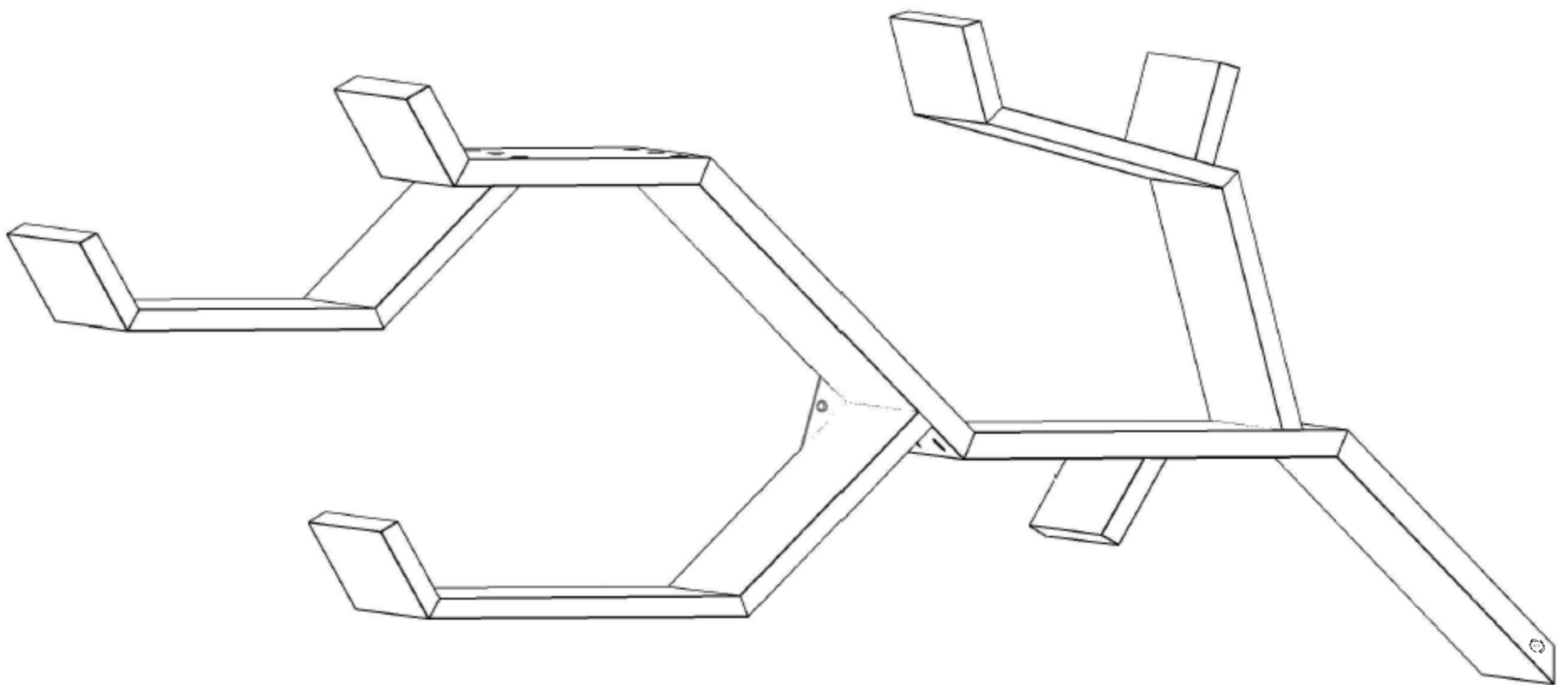




Instruction Manual & Installation Guide

Welcome Home
Designs™



Tree Branch Shelf



Instruction Manual & Installation Guide

EN

General Guidelines

- Please read the following instruction carefully and use the product accordingly.
- Please keep this manual for future reference if needed.
- These instructions may not include every detail of all variations and considered steps. Please contact us when further information and help are needed.

Notes:

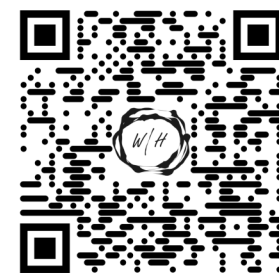
- The product is intended for indoor use only. The product must be assembled and used in accordance with the provisions of the manual. Personal injury and/or damage to product may occur if products are used outside of their intended purposes and/or if products have been changed/modified from their original design. The seller does not assume any responsibility or liability with respect to any injury/damage caused by incorrect assembly or improper use.
- Avoid long-term exposure to humid environments to prevent mildew.
- Keep the product away from fire sources and high temperatures. Do not expose the product to direct sunlight.
- Do not place any hot objects on the surface of the product.
- If there are any defective or missing parts after unpackaging, please cease assembly immediately and contact us.
- Please assemble the item on a spacious surface and do not place the unwrapped product directly on the ground to avoid product damage.
- Please do not stand or sit on the wooden boards.
- Please wear gloves during the assembly and/or disassembly process to avoid scratches from any sharp edges.
- Please match the corresponding part and fitting based on the part number/letter in the manual.
- If the part does not match with the fitting, please check the piece as specified in this manual.
- During assembly, first loosely align all screws with the corresponding pre-drilled holes and then tighten the screws one-by-one.
- Periodically inspect screw tightness while the product is in use. If necessary, retighten to ensure structural integrity.
- If you accidentally spill water or another liquid on the surface, immediately wipe clean with a dry towel.
- Please keep the product away from sharp, pointed, objects and corrosive substances to prevent product damage.
- Please mount this item on a sturdy wall, ensuring proper mounting for all brackets.

Warnings

- During assembly, keep all small parts out of the reach of children as they may be fatal if swallowed or inhaled.
- Keep plastic packaging bags out of reach of children to avoid any potential danger, such as suffocation.
- The max. loading capacity of the shelf is 8kg. Do not place overweight items on it.
- The product should be secured to the wall with sturdy drywall plugs provided.

Languages and more information

- For more information about this product and a step-by-step video tutorial, please visit our website at www.welcome-home-designs.com.
- Para obtener más información sobre este producto y un video tutorial paso a paso, visite nuestro sitio web en www.welcome-home-designs.com.
- Pour plus d'informations sur ce produit et un didacticiel vidéo étape par étape, veuillez visiter notre site Web à www.welcome-home-designs.com.
- 有关此产品的更多信息和分步视频教程，请访问我们的网站 www.welcome-home-designs.com。

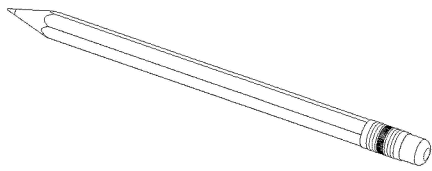


[welcome-home-designs.com](http://www.welcome-home-designs.com)

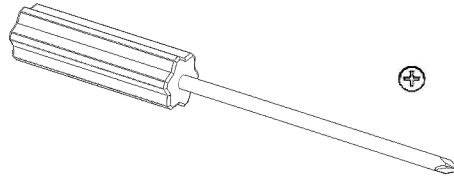


Instruction Manual & Installation Guide

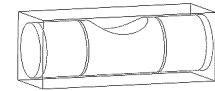
Tools Required:



Pencil

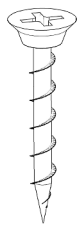


Phillips Screwdriver



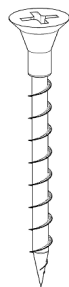
Mini Level
(included)

Hardware Included:



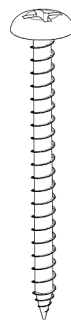
x 2

i



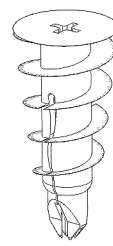
x 21

ii



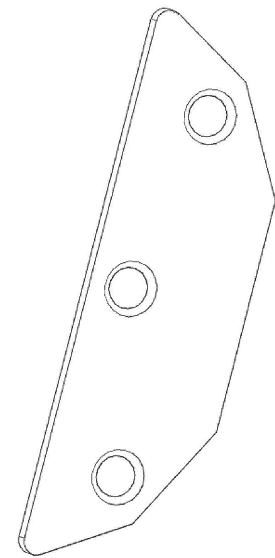
x 5

iii



x 5

iiii



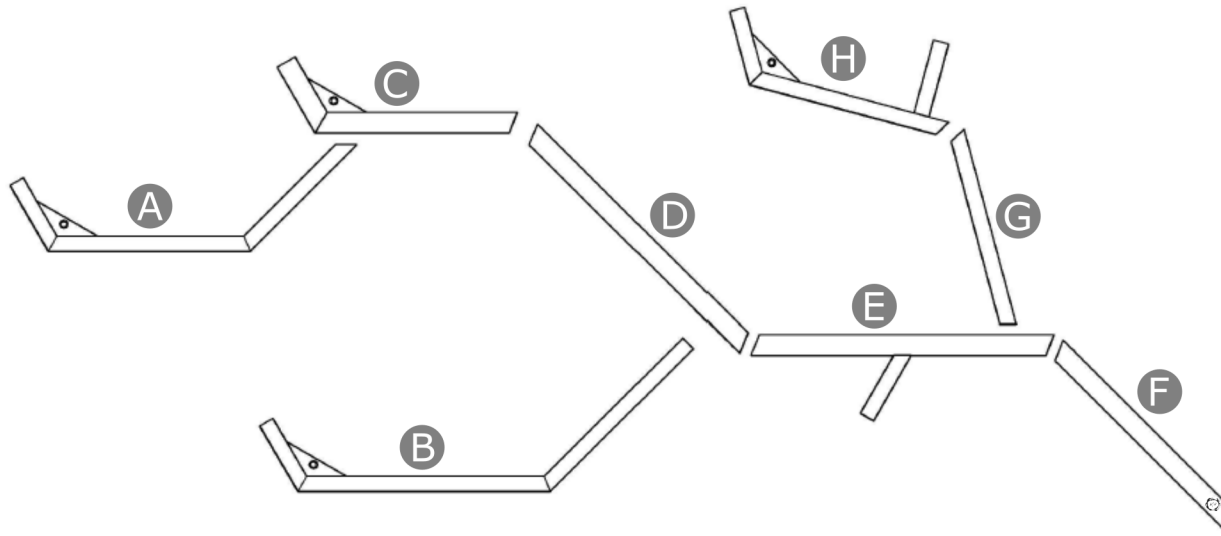
x 1

V

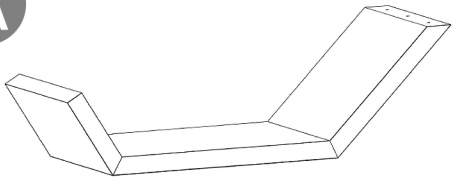


Instruction Manual & Installation Guide

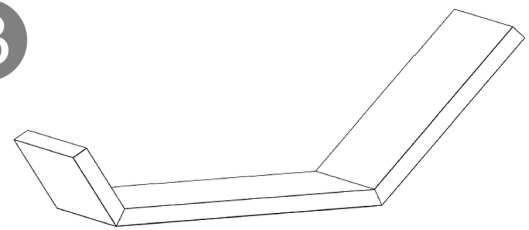
Part List:



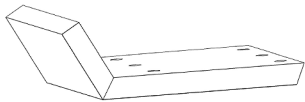
A



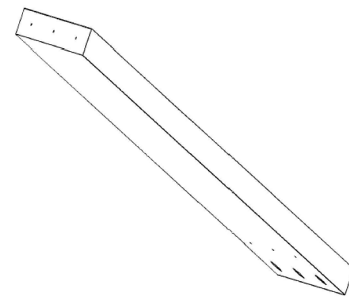
B



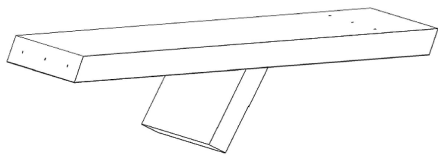
C



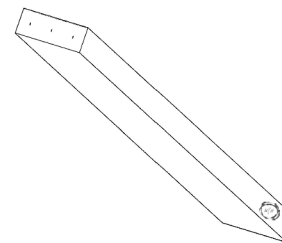
D



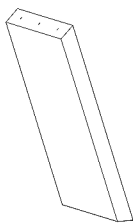
E



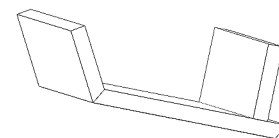
F



G



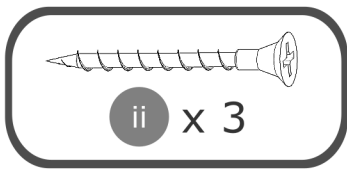
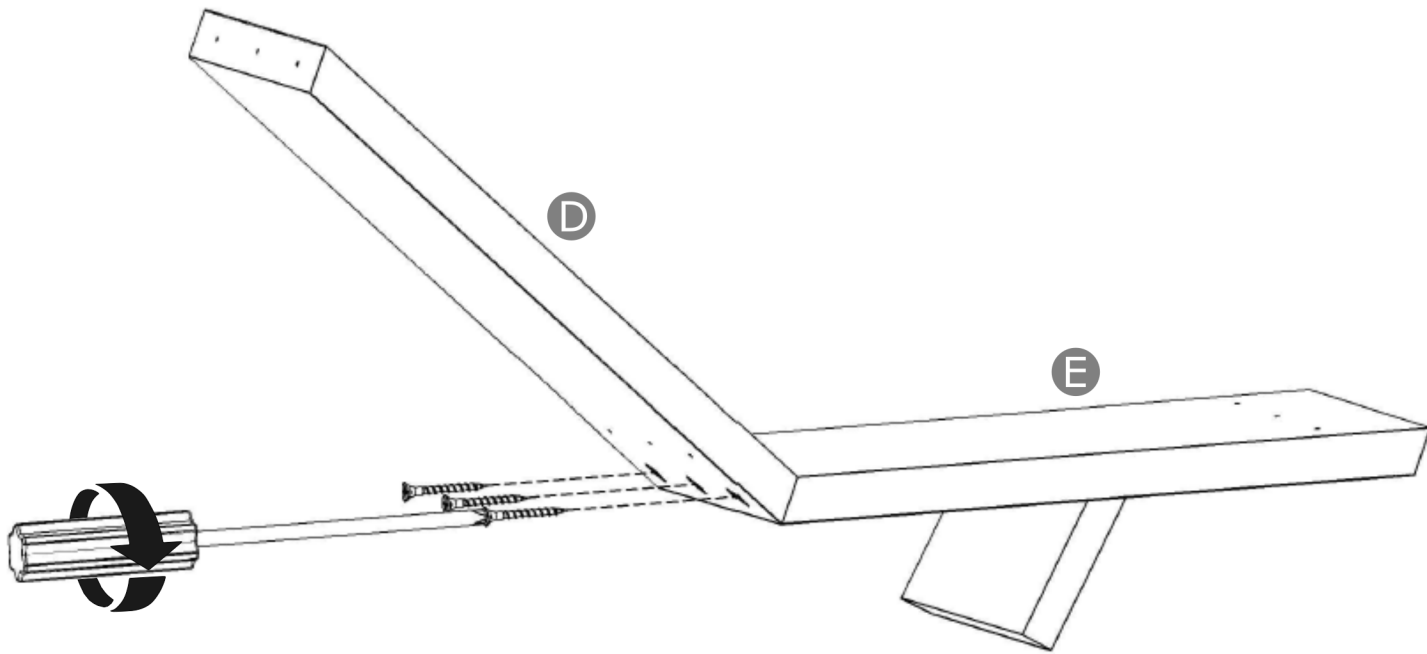
H



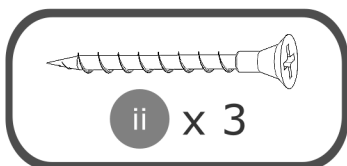
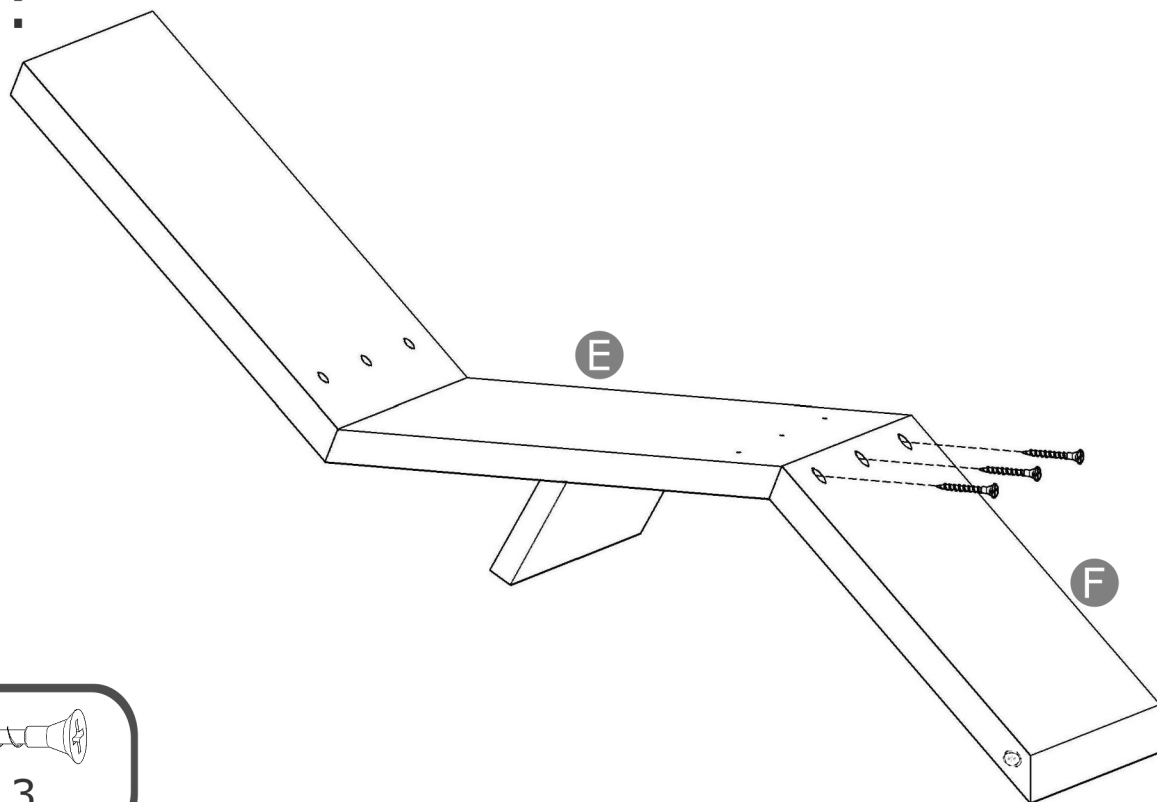


Instruction Manual & Installation Guide

Step 1:



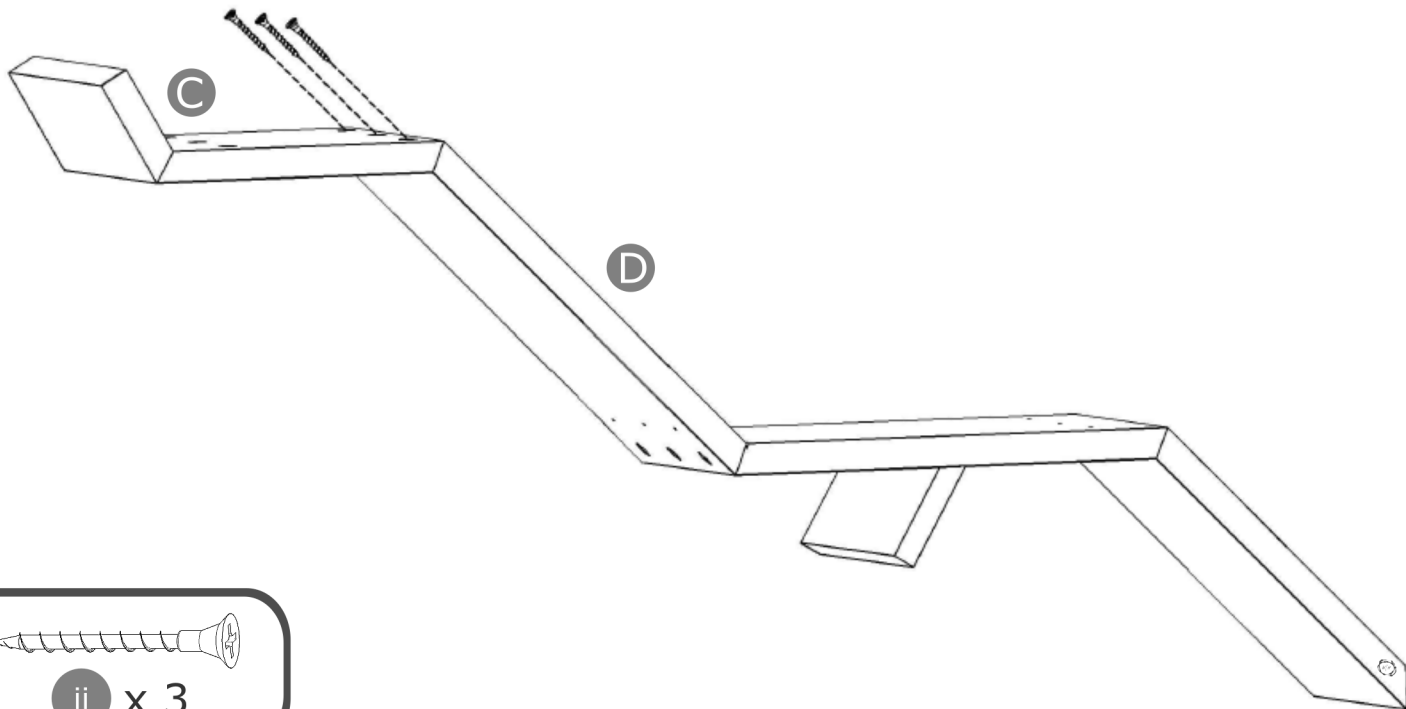
Step 2:



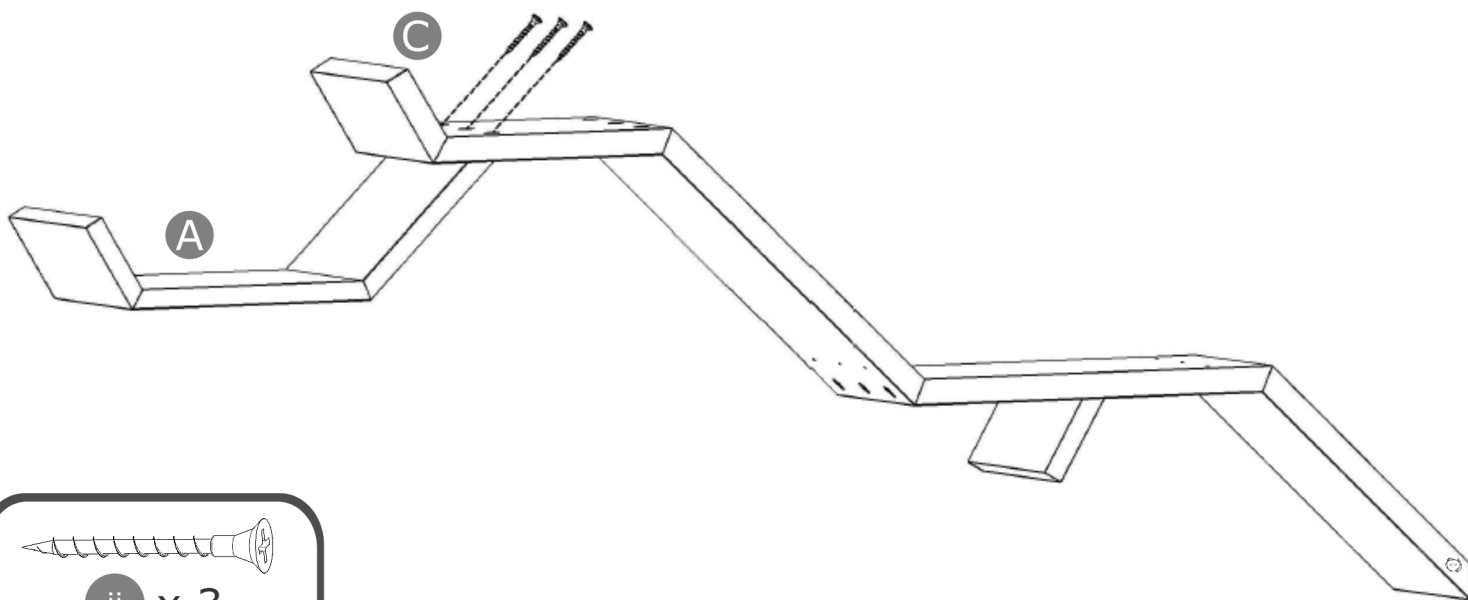


Instruction Manual & Installation Guide

Step 3:



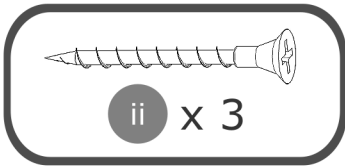
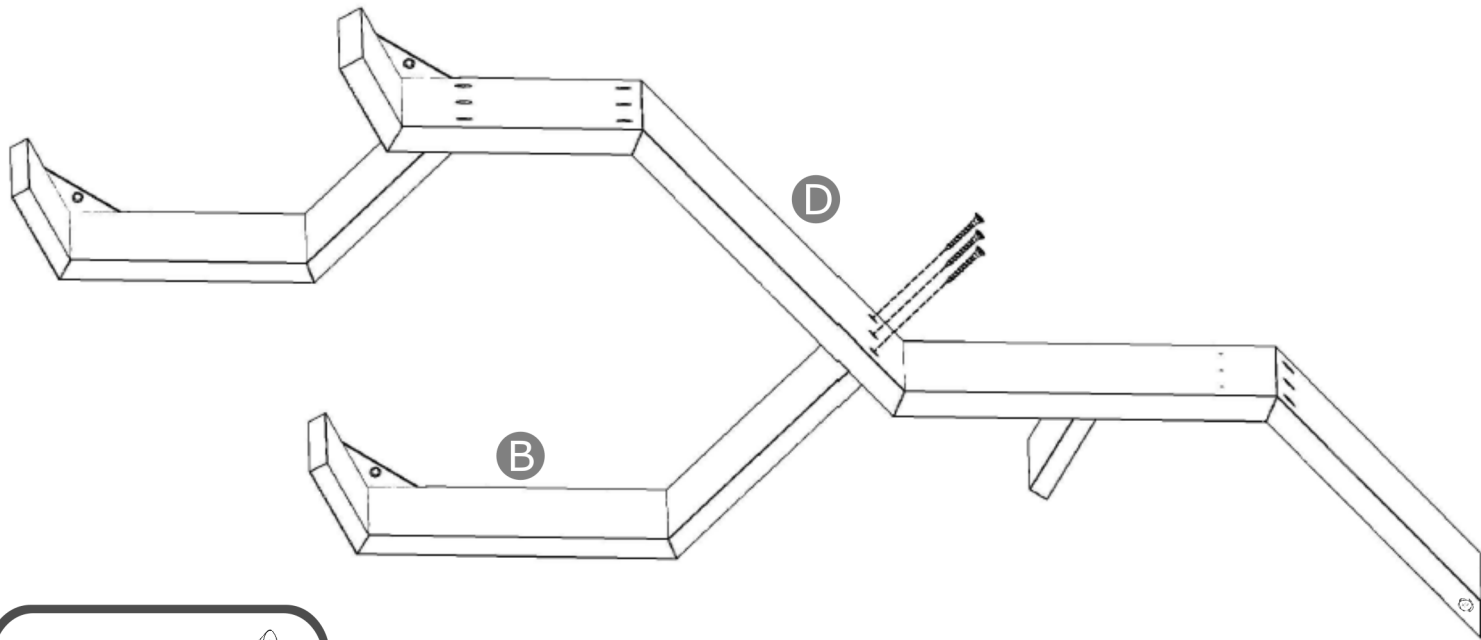
Step 4:



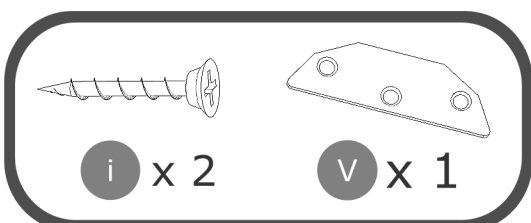
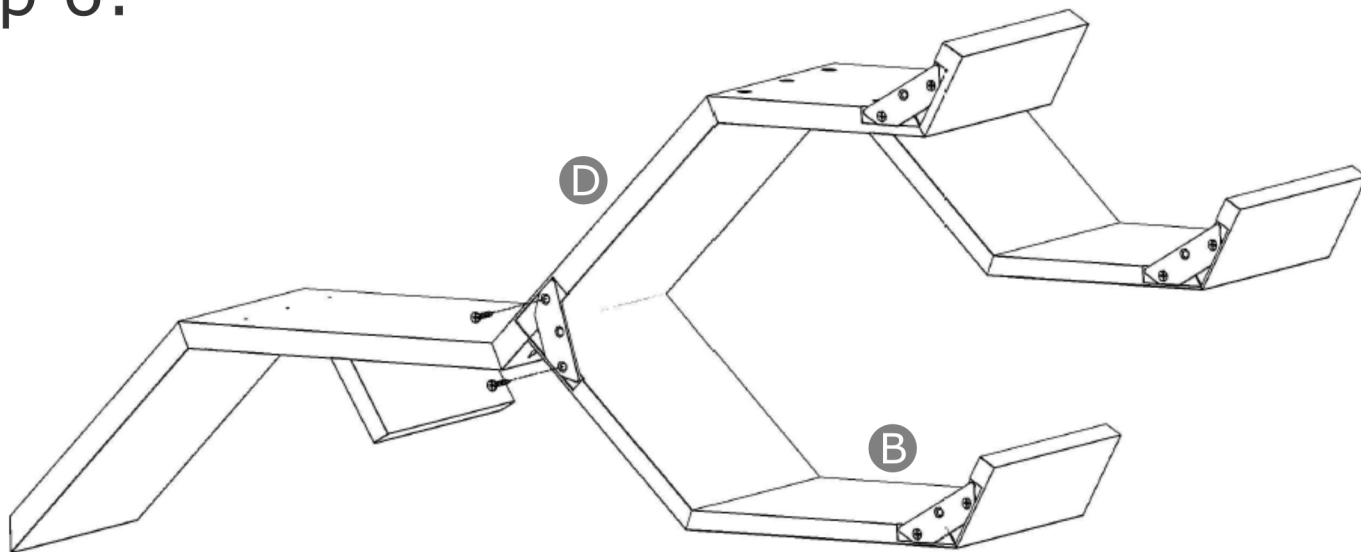


Instruction Manual & Installation Guide

Step 5:



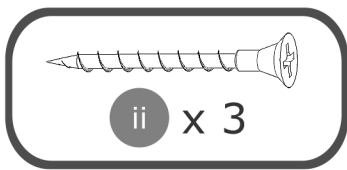
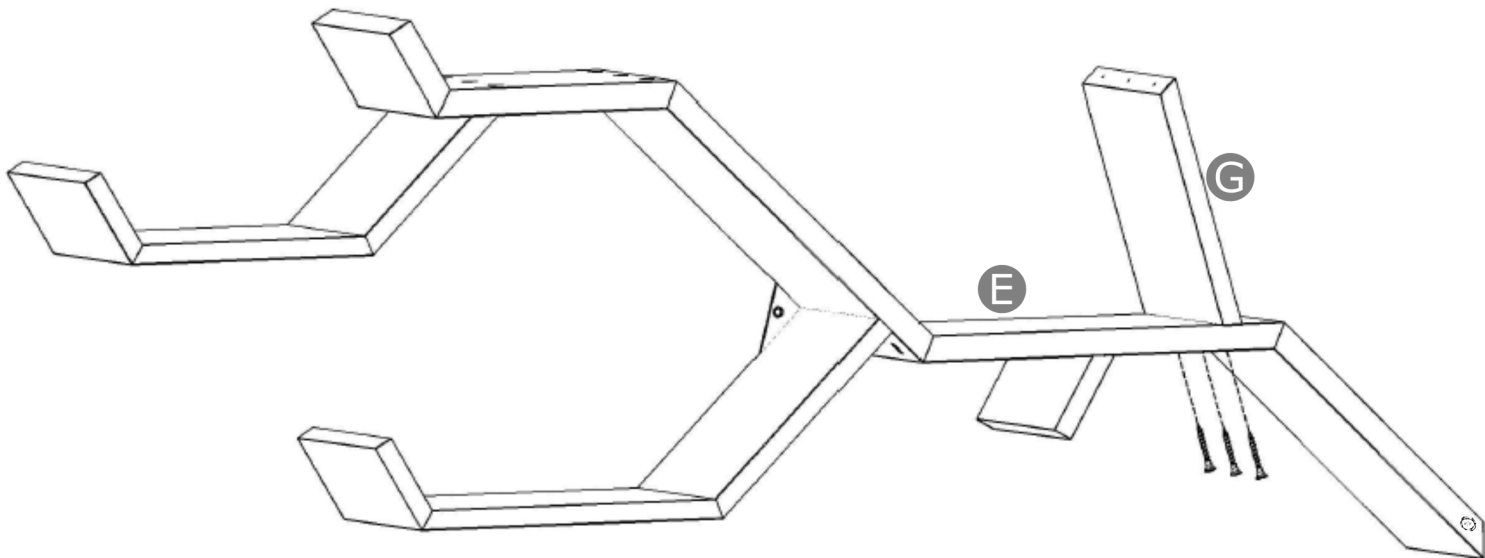
Step 6:



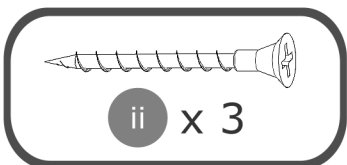
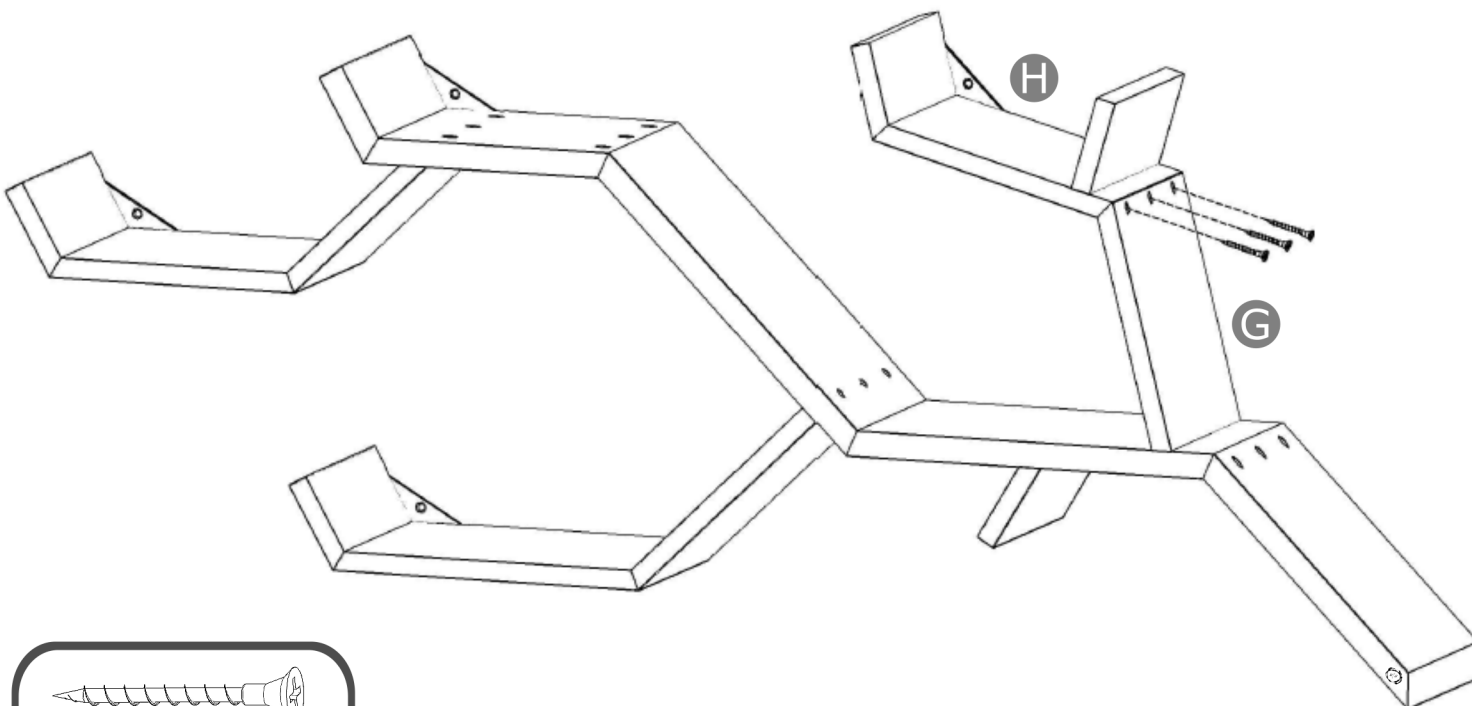


Instruction Manual & Installation Guide

Step 7:



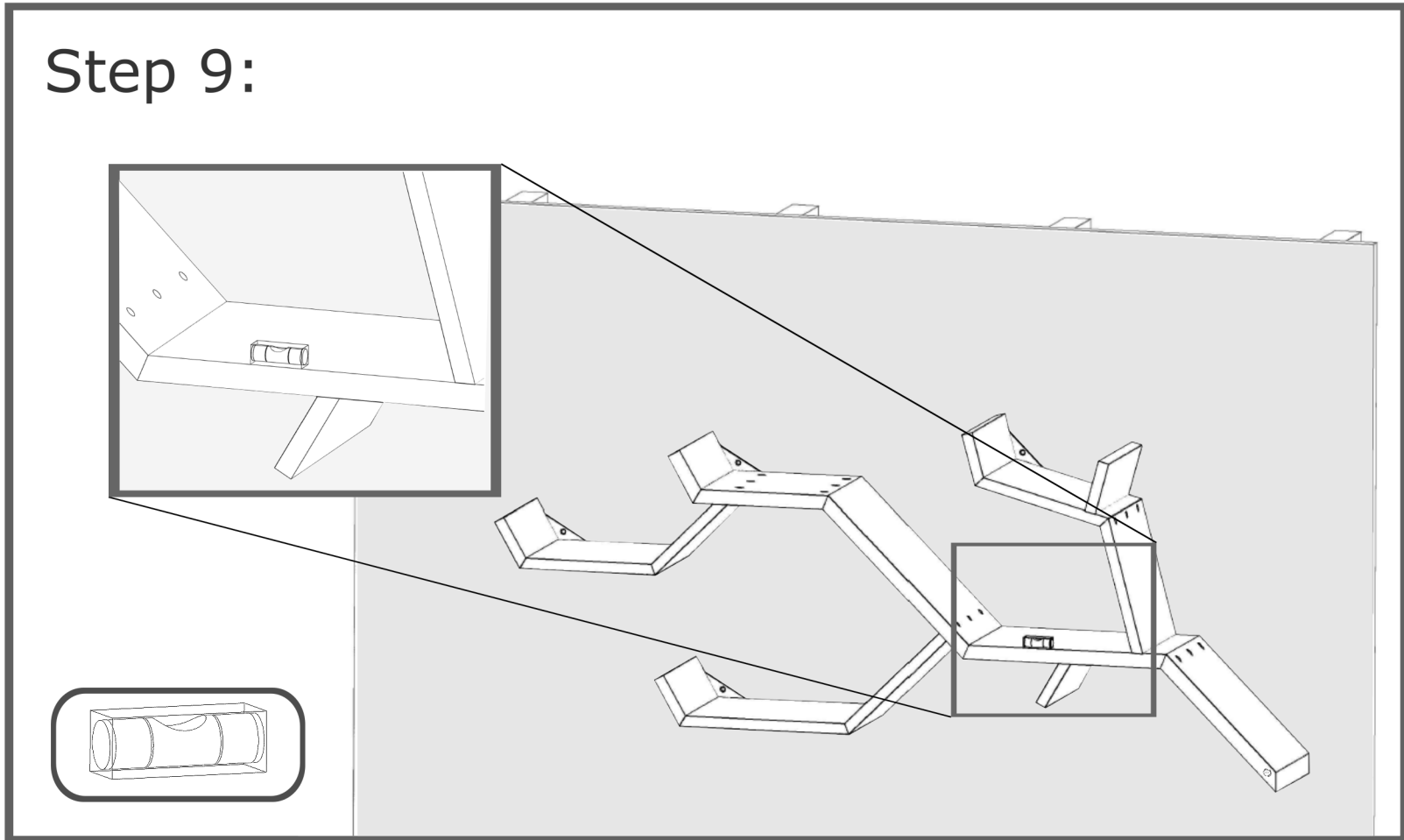
Step 8:



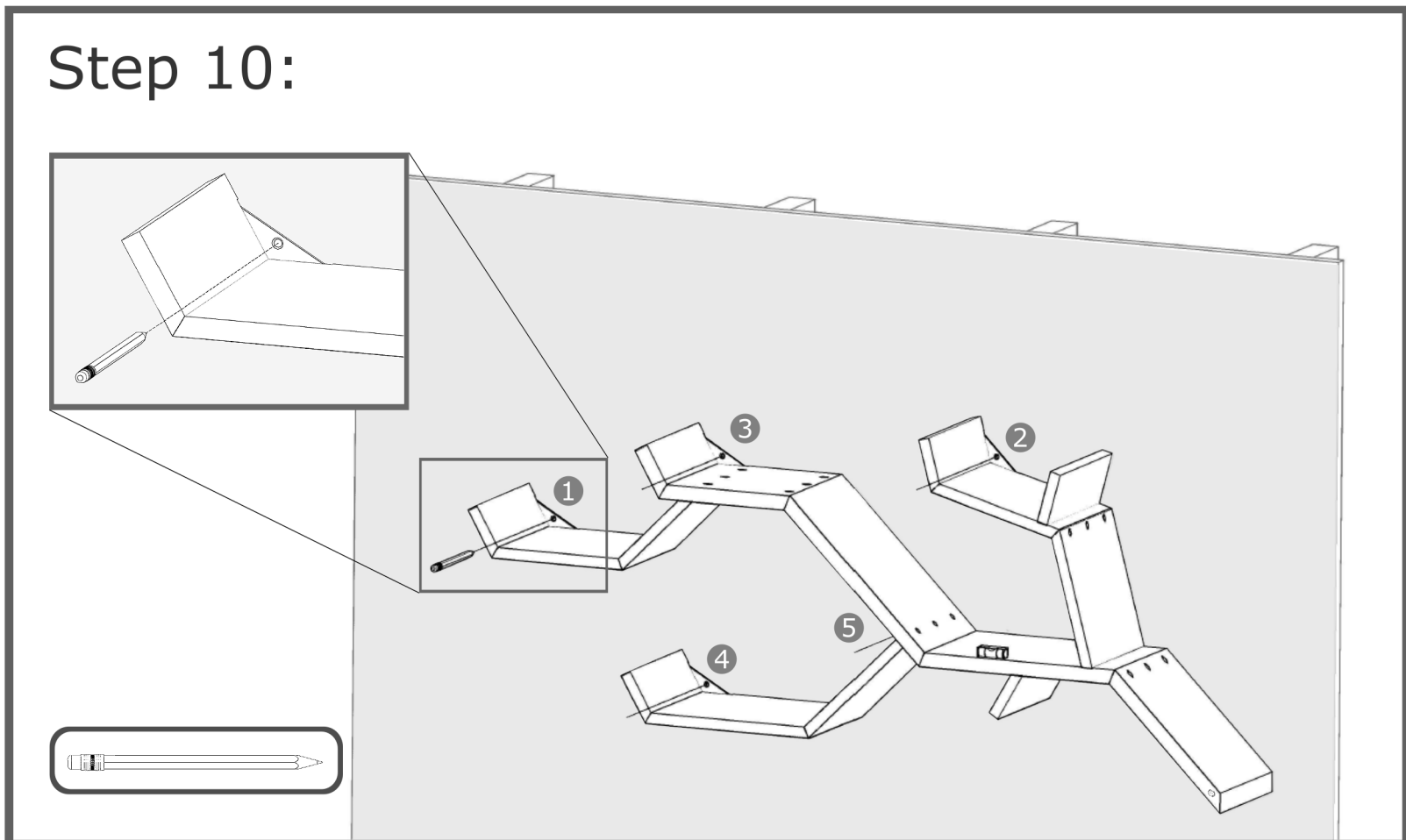


Instruction Manual & Installation Guide

Step 9:



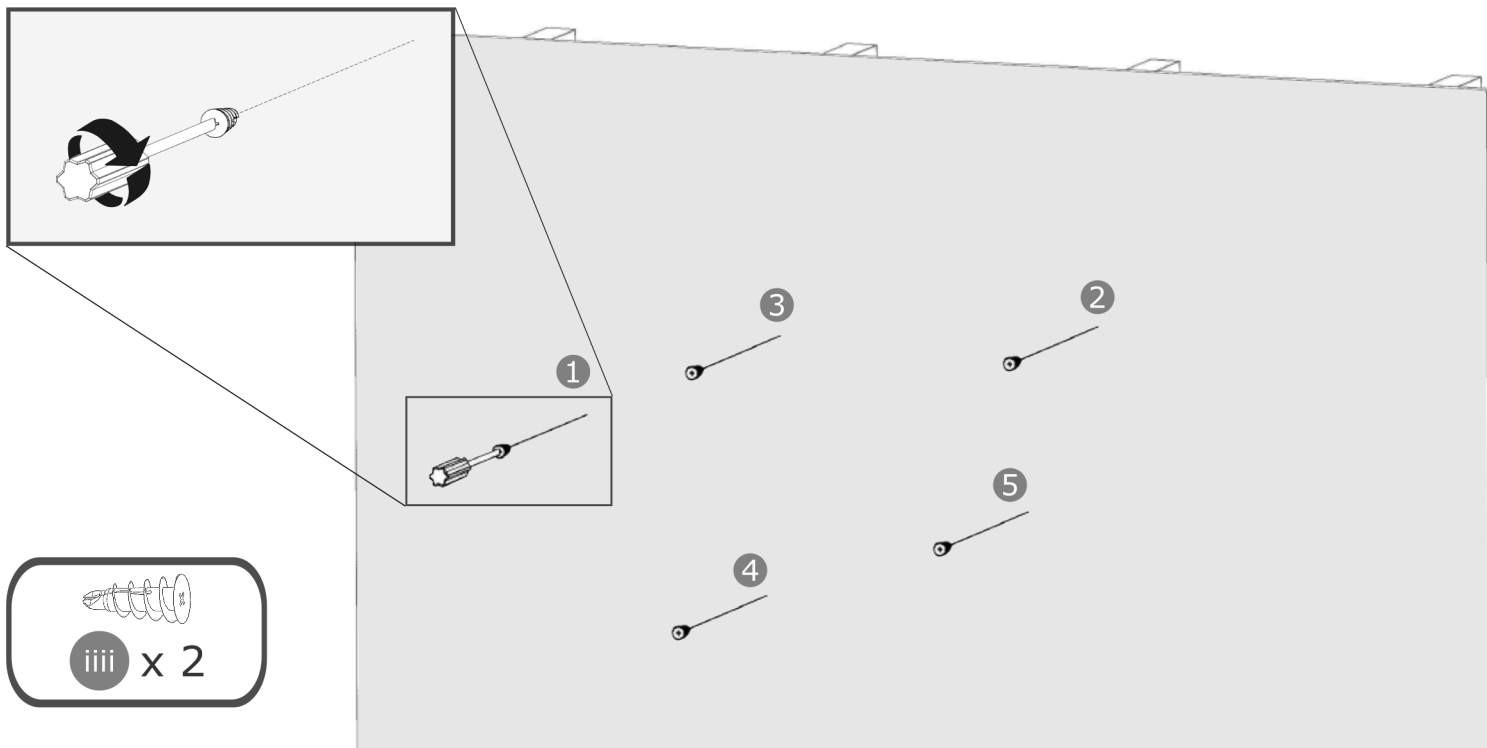
Step 10:



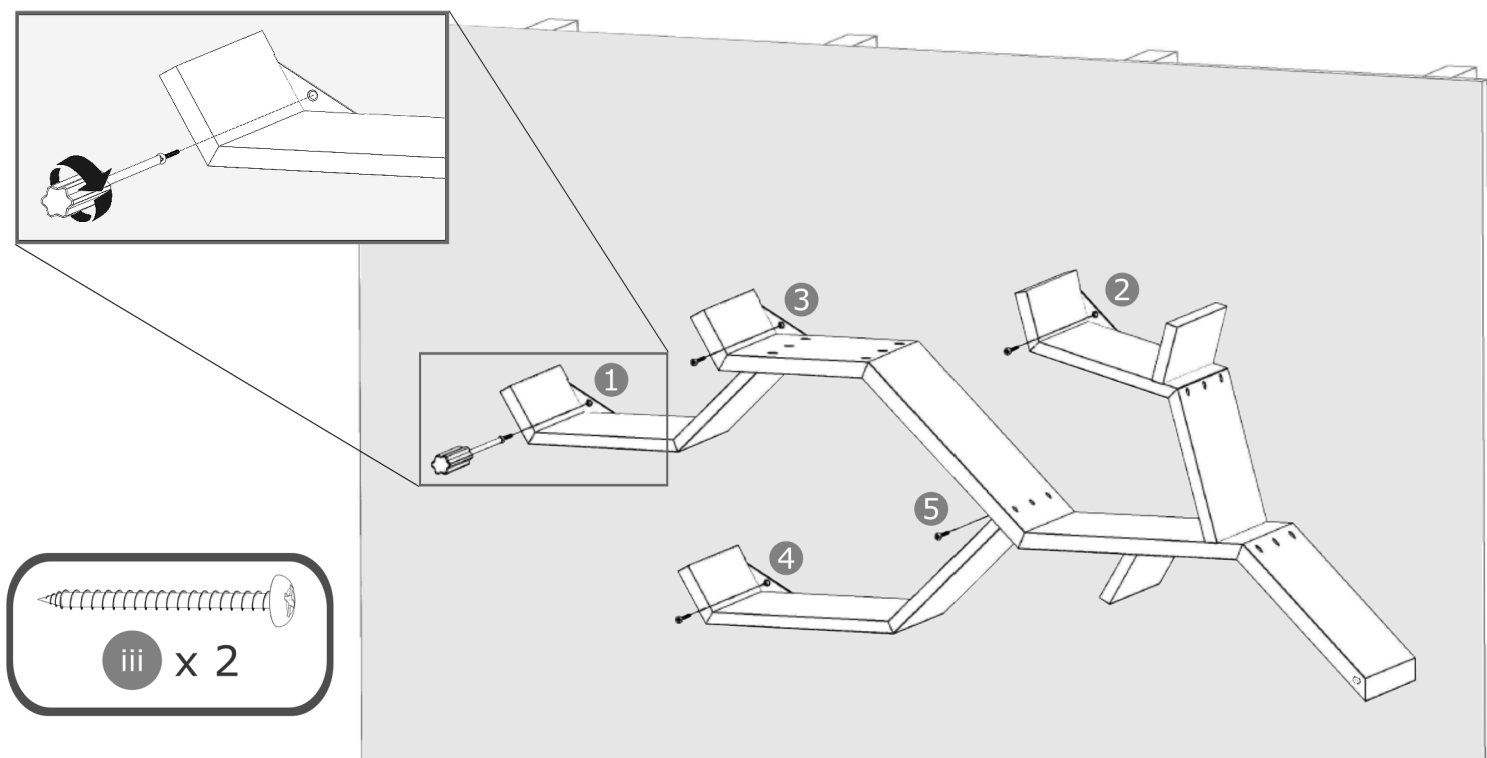


Instruction Manual & Installation Guide

Step 11:



Step 12:



Thank you

For choosing Welcome Home Designs.
We hope you love this product as much
as we do!

